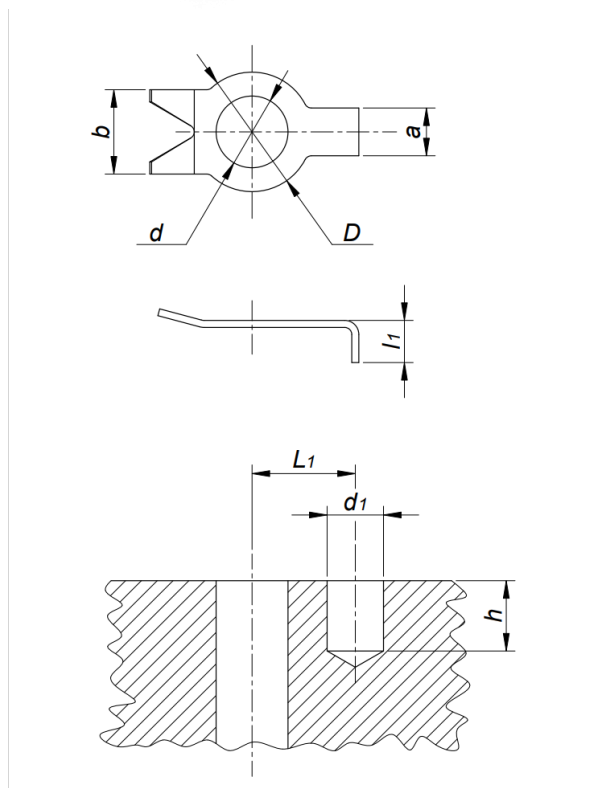




Standard: 3464A

Origin of the standard: Russia

Name: One-sided lock washer with resistance in the socket.



Dimensions:

d	4,1	5,1	6,1	8,1	10,1	12,1	14,1	16,1	18,1	20,1	22,1	24,1
D	7,0	8,5	10,0	13,0	15,0	18,0	20,0	23,0	25,0	28,0	31,0	34,0
a	3,4				4,4			5,4			5,8	
b	5,0	6,0	7,5	9,0	10,0	11,0	12,0	13,0	15,0	16,0	18,0	19,0
l ₁	3,0		4,0					5,0			5,5	
L ₁	5,8	6,8	7,6	8,6	10,6	13,6	14,6	15,5	16,5	17,5	19,4	20,4
d ₁	4,0				5,0			6,0			6,5	
h	5,0		6,0					7,0			7,5	

There are alternatives to the standard.